

MODEL N°
SOLIS OUTDOOR SIDE TABLE



SOLIS OUTDOOR SIDE TABLE

MODEL N°

The Solis Side Table evokes iconic modernist sculpture with its minimalist design and under-stated power. Perfect for your coffee in the morning or pass hors d'oeuvres to friends atop its fitted, hand-finished hardwood tray during cocktail hour. Remove the tray and - Voila! - the Solis comes as a comfortable stool or a stable soapbox for random speeches.

Puddle proof, we even designed channels to stream away water. The Solis Side Table is fully customizable. You can expect the durable PLA and high-quality hardwood to season well with sun and rain with your care and attention. Intentionally designed to pair with our Solis Lounge Chair.

dimensions

width	17"
height	19.5"
depth	19.5"

materials

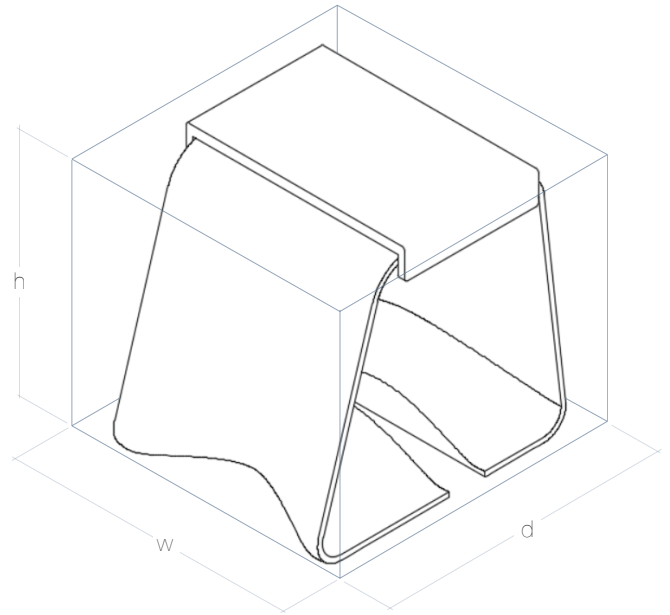
wood species	cherry, salvage elm
bio-resin	white, black, woodprint, desert clay, sea glass, and fern

care

The Solis Side Table seasons exceptionally well with your attention and care. Wood that is left outdoors will naturally darken over time. The PLA is UV resistant and waterproof and will hold up to extended exposure to moisture. We recommend covering your table seasonally, for protection against cold weather + wind. Do not cover in high heat, as prolonged exposure to intense sun while covered may lead to some warping. During extreme weather the table should be stored for optimal long-term protection. While uncovered, the table can easily be maintained with regular cleanings. We recommend wiping down the PLA with a lint-free, soft cloth or soft bristle brush, and clean when needed with mild soaps. Avoid bleach, ammonia and other hard chemical solvents which may damage the texture of the surface.

sustainability

From FSC® certified hardwoods, to plant-based polymers, to GOLS-certified latex, we examine every product for sustainability, quality, and performance. We strive to source our materials locally. Additive manufacturing processes like 3D printing let us produce each piece to order. Limiting inventory minimizes our carbon footprint and also maximizes our product quality. Only the products identified as such in this document are FSC®-certified. FSC® C125400/SCS-COC-007184



customization

With the use of our advanced manufacturing processes, our customers have the freedom to customize their order. From sizing, material choice, fabric color and finish, we can truly design your living space to the customers ideal vision. There is no minimum order quantity as we are aiming to reach a diverse range of customers, from big companies to small homes.