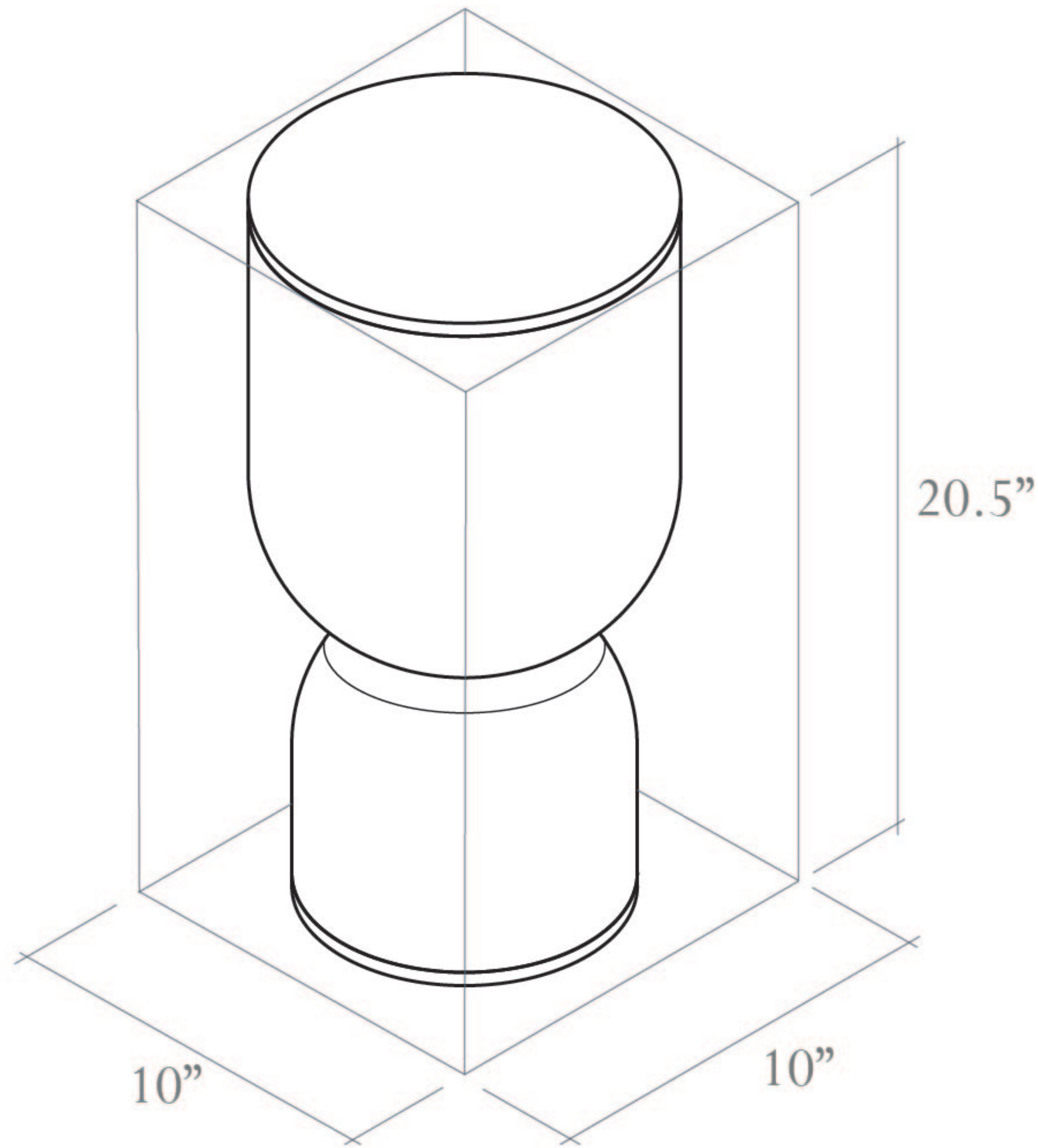


Standard With Low Waist



Standard With High Waist

