

MODEL N°  
COOPER TABLE

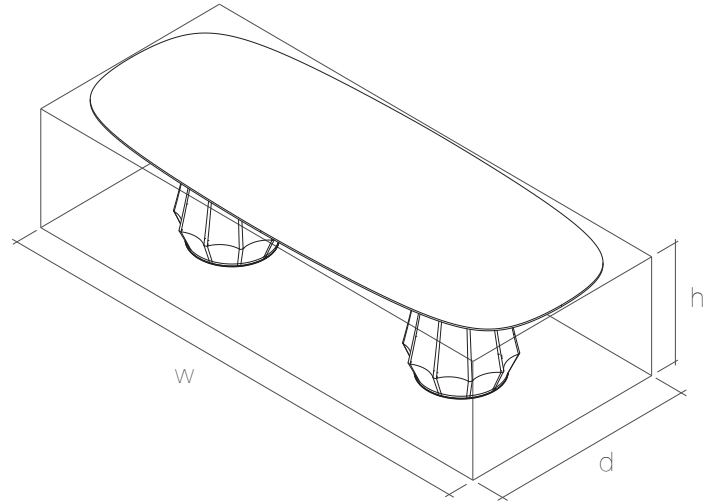


# COOPER TABLE

MODEL N°

An extension of a custom installation for some wine country friends, the Cooper Table is both sturdy and svelte. Made with a solid hardwood top laid atop a refined 3D printed scalloped base, Cooper is our ever sturdy conference, work and/or dining table that knows how to dress up or down depending upon the occasion and who's joining.

Spec Cooper from many FSC® certified and locally salvaged hardwoods for the surface with numerous plant-based resin colors for the base. If preferred, exchange Cooper's scalloped base shape for the conical base of the Muna Table.



## dimensions

height	30"
depth	48"
width	120"

## materials

Wood Species	Walnut, Ash, Charcol Ash, White Oak, Beech, Salvage Elm, Cherry
Bio-Resin	Black, White, Woodprint, Desert Clay, Seaglass, Fern



## care

Our hardwood surfaces are finished with an environmentally friendly, plant based, hardwax oil wood finish that has 0% VOC and does not contain any water or solvents. It is protective and durable. Wipe with a damp cloth and gentle cleanser. Avoid water marks by quickly wiping up any standing liquids on the chair. Never use harsh cleaning sprays or abrasives on your wood surfaces. Clean any sticky spots gently with soap or mild detergent and water.

We recommend wiping down the PLA with a lint-free, soft cloth or soft bristle brush, and clean when needed with mild soaps. Avoid bleach, ammonia and other hard chemical solvents which may damage the texture of the surface.



## sustainability

From FSC® certified hardwoods, to plant-based polymers, to GOLS-certified latex, we examine every product for sustainability, quality, and performance. We strive to source our materials locally. Additive manufacturing processes like 3D printing let us produce each piece to order. Limiting inventory minimizes our carbon footprint and also maximizes our product quality. Only the products identified as such in this document are FSC®-certified. FSC® C125400/SCS-COC-007184

## customization

With the use of our advanced manufacturing processes, our customers have the freedom to customize their order. From sizing, material choice, fabric color and finish, we can truly design your living space to the customers ideal vision. There is no minimum order quantity as we are aiming to reach a diverse range of customers, from big companies to small homes.