

MODEL N°
CLOVER CAFE TABLE



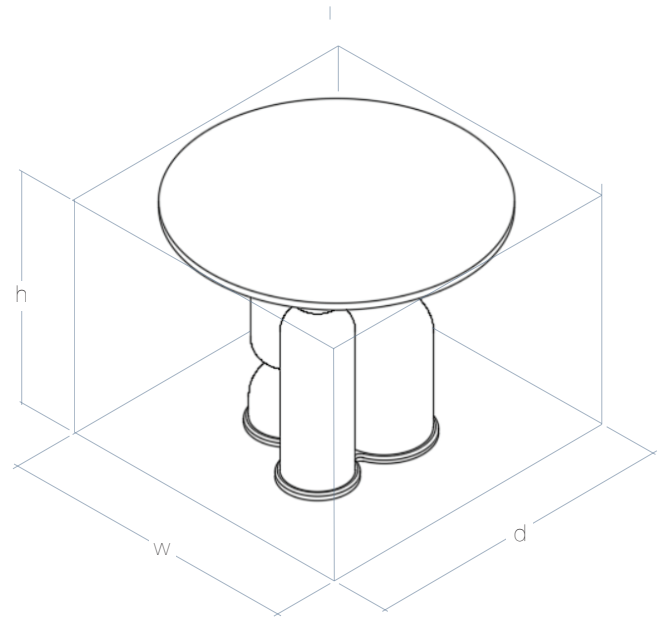
CLOVER CAFE TABLE

MODEL N°

Sitting upon set of sculptural drums, the Clover Cafe Table upholds the radical statements afforded by digital design and 3D printing. To build Clover, we 3D print and assemble three drums from resins that we upcycle from plant waste, shape its top from selected FSC® certified and locally salvaged hardwoods, and then hand-finish it to our exacting standards to keep its modern beat on point from top to bottom. Clover comes without embedded charging technology but you can spec that feature along with multiple hardwoods and bioresin colors if desired.

dimensions

width	36"
height	30"
depth	36"



materials

wood species	Walnut, Ash, Charcol Ash, White Oak, Beech, Salvage Elm, Cherry
PLA	Black, White, Woodprint, Desert Clay, Seaglass, Fern



care

Our hardwood surfaces are finished with an environmentally friendly, plant based, hard wax oil wood finish that has 0% VOC and does not contain any water or solvents. It is protective and durable. Wipe with a damp cloth and gentle cleanser. Avoid water marks by quickly wiping up any standing liquids on the chair. Never use harsh cleaning sprays or abrasives on your wood surfaces. Clean any sticky spots gently with soap or mild detergent and water. Due to natural variations in wood, grain and color can differ from piece to piece.



sustainability

From FSC® certified hardwoods, to plant-based polymers, to GOLs-certified latex, we examine every product for sustainability, quality, and performance. We strive to source our materials locally. Additive manufacturing processes like 3D printing let us produce each piece to order. Limiting inventory minimizes our carbon footprint and also maximizes our product quality. Only the products identified as such in this document are FSC®-certified. FSC® C125400/SCS-COC-007184

customization

With the use of our advanced manufacturing processes, our customers have the freedom to customize their order. From sizing, material choice, fabric color and finish, we can truly design your living space to the customers ideal vision. There is no minimum order quantity as we are aiming to reach a diverse range of customers, from big companies to small homes.