

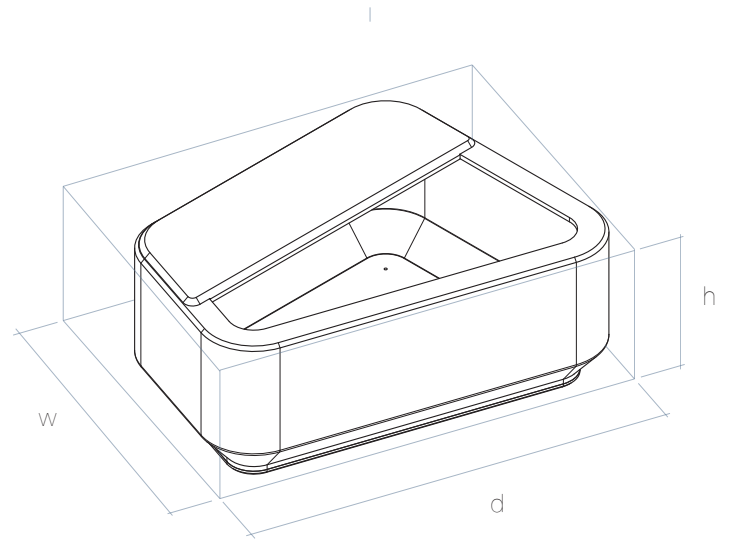
MODEL N°
PLANTER BIO BENCH



Biosystem (noun): A system of mutually interacting living organisms. It wasn't so whimsical but, we wondered, what about creating a biosystem that blurs the line between inside and out? And so began the BioBench, now a living system of configurable and scalable bench spaces with integrated planters. Powered by plants on the inside, BioBench is 3D printed using resins made from upcycled plant waste and FSC® certified or locally salvaged hardwoods. Spec and scale BioBench as a single or in multiples. Configure the seating pieces to work with your space. Choose from a variety of bioresin colors and hardwoods.

dimensions

| | |
|--------|--------|
| width | 39" |
| height | 16.85" |
| depth | 31.63" |



materials

| | |
|--------------|---|
| Wood Species | Walnut, Ash, Charcol Ash, White Oak, Beech, Salvage Elm, Cherry |
| Bio Resin | Black, White, Woodprint, Desert Clay, Seaglass, Fern |

care

The Planter Bio Bench seasons exceptionally with your attention and care. Wood that is left outdoors will naturally darken over time. The PLA is UV resistant and waterproof and will hold up to extended exposure to moisture. We recommend covering your bench seasonally, for protection against cold weather + wind. Do not cover in high heat, as prolonged exposure to intense sun while covered may lead to some warping. During extreme weather the bench should be stored for optimal long-term protection. While uncovered, the bench can easily be maintained with regular cleanings. We recommend wiping down the PLA with a lint-free, soft cloth or soft bristle brush, and clean when needed with mild soaps. Avoid bleach, ammonia and other hard chemical solvents which may damage the texture of the



sustainability

From FSC® certified hardwoods, to plant-based polymers, to GOLS-certified latex, we examine every product for sustainability, quality, and performance. We strive to source our materials locally. Additive manufacturing processes like 3D printing let us produce each piece to order. Limiting inventory minimizes our carbon footprint and also maximizes our product quality. Only the products identified as such in this document are FSC®-certified. FSC® C125400/SCS-COC-007184

customization

With the use of our advanced manufacturing processes, our customers have the freedom to customize their order. From sizing, material choice, fabric color and finish, we can truly design your living space to the customers ideal vision. There is no minimum order quantity as we are aiming to reach a diverse range of customers, from big companies to small homes.