

MODEL N°  
AMPHORA HIVE PENDANT



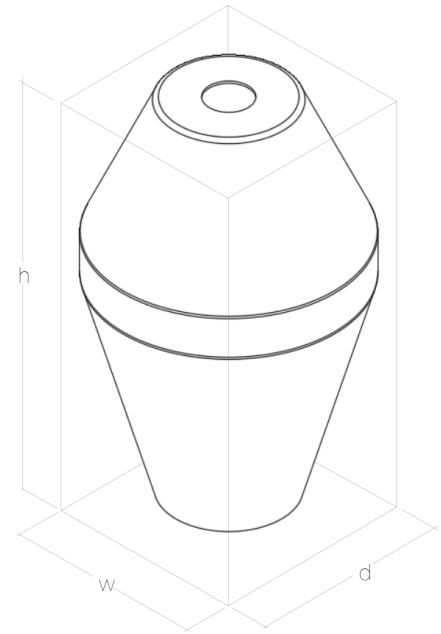
# AMPHORA HIVE PENDANT

MODEL N°

3D printing as a medium for lighting started as a random design exploration and ended up as something we had to make. It makes sense: Endless forms and combinations, the bio-resin's inherent and unique translucency, its soft even light, and its credentials as a sustainable product. Amphora, our first series of pendant lights, reflects such possibility. Our Amphora Hive Pendant is but one of five available shapes that you can spec in multiple sizes, colors, and finishes and two power options.

## dimensions

Pendant	width	9"
	height	14.5"
	depth	9"
Hardwire Cord	cord length	6ft
	shade rings outer diameter	2.25in
<small>*max 60W bulb *grounded 3 blade plug *thumb switch 2ft from plug end</small>		
Fabric Plug-in Cord	overall length	18ft
	socket length	3in
<small>*max 60W bulb *grounded 3 blade plug *thumb switch 2ft from plug end</small>		



## materials

PLA colors	alabaster, acacia, obsidian
fabric plug-in cord	nickle, brass, white, black
hardwire cord	nickle, brass, white, black
LED bulb	warm amber, cool daylight white

## care

PLA polymer shades should be cleaned routinely. Use a feather duster and a natural cleaner and cloth for routine maintenance. Pendant shade is only for use with a LED bulb. Not for use with an incandescent bulb. Hardwired fixture should be installed by a professional electrician.

## sustainability

Our 3D printers sculpt the shade from upcycled plant-based materials. Our PLA Pellet Blend (polylactic acid) - bioresin is made from food waste, corn and sugar leftovers, and wood dust.

Here at Model No. we examine every product for sustainability, quality, and performance. We strive to source our materials locally. Additive manufacturing like 3D printing let us produce each piece to order. Minimizing our carbon footprint and maximizing quality.



## customization

With the use of our advanced manufacturing processes, our customers have the freedom to customize their order. From sizing, material choice, fabric color and finish, we can truly design your living space to the customers ideal vision. There is no minimum order quantity as we are aiming to reach a diverse range of customers, from big companies to small homes.