

MODEL N°  
ALTA STOOL COLLECTION (H-FRAME)



# ALTA STOOL COLLECTION (H-FRAME)

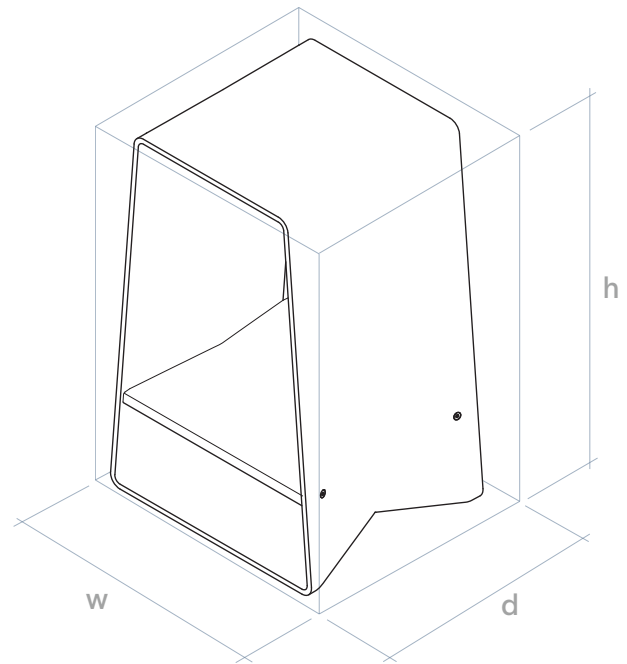
MODEL N°

Seamlessly fusing advanced 3D printing and digitally carved hardwoods, the H-Frame is a contemporary example of form follows function, resulting in a sleek design, accentuated by a warm wooden footrest. Available in various seat heights, our taller stools are equipped with an ergonomically positioned footrest for enhanced comfort at bar and counter heights.

Personalize your stool with our range of bio-resin colors along with your footrest from our array of FSC® certified and locally salvaged hardwoods (not available for the 18" Stool). Ideal for any space both indoors and out. Redefine modern elegance with the H-Frame stool, where style meets sustainability in perfect harmony.

## dimensions

	Stool	Counter	Bar
Height	18in	26in	30in
Width	16.5in	16.5in	16.5in
Depth	14in	14in	14in



## materials

Bio Resin	Woodprint, Desert Clay, Seaglass, Fern, Black, White
Wood Species	Walnut, Ash, Charcol Ash, White Oak, Beech, Salvage Elm, Cherry

## care

Care for bio-resin 3D printed components: Keep the edges of your resin surfaces clean by using a synthetic bristle brush with mild cleaning soaps, such as diluted dish soap or general non-abrasive cleaners. Avoid bleach, ammonia, and other harsh or abrasive cleaners which may damage the texture of the surface. Our hardwood surfaces are finished with an environmentally friendly, plant based, hard wax oil wood finish that has 0% VOC and does not contain any water or solvents. It is protective and durable. Wipe with a damp cloth and gentle cleanser. Avoid water marks by quickly wiping up any standing liquids on the chair. Never use harsh cleaning sprays or abrasives on your wood surfaces. Clean any sticky spots gently with soap or mild detergent and water.

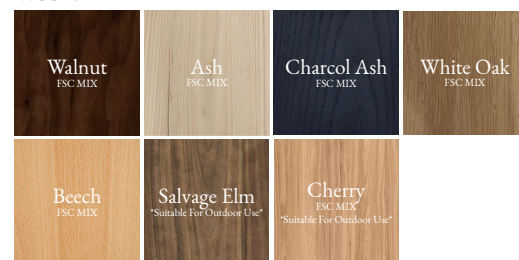
## sustainability

From FSC® certified hardwoods, to plant-based polymers, to GOLDS-certified latex, we examine every product for sustainability, quality, and performance. We strive to source our materials locally. Additive manufacturing processes like 3D printing let us produce each piece to order. Limiting inventory minimizes our carbon footprint and also maximizes our product quality. Only the products identified as such in this document are FSC®-certified. FSC® C125400/SCS - COC-007184

### Bio-Resin:



### Wood:



## customization

With the use of our advanced manufacturing, our customers have the freedom to customize their order. From sizing, material choice, fabric color and finish, we can truly design your living space to the customers ideal vision. There is no minimum order quantity as we are aiming to reach a diverse range of customers, from big companies to small homes.