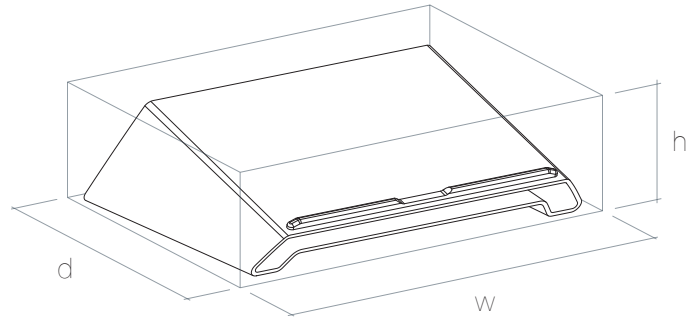


MODEL N°
ZENITH RISER



If the pandemic taught us one thing, it's how to organize a work space. We'll admit. We sat on the sidelines in full denial. We used anything in arms reach to hold things in place during meetings. Frustrated, we said we just have to do this better.

Enter the lectern-like Zenith Riser that allows you to hold documents, books, or your notes for reference as you work or meet. Like all pieces in the Zenith Series, we 3D print the Riser with resins upcycled from plant waste and use FSC® certified or salvaged hardwoods for the wood pieces. More than sustainably made, the Riser is recyclable and biodegradable at the end of life. Spec this piece from multiple hardwoods and bio-resins colors. Add the Zenith Headset Stand and the Zenith Monitor Stand to complete the scene.



dimensions

height	5.15"
depth	14"
width	17.75"

materials

Wood Species	Walnut, Ash, Charcol Ash, White Oak, Beech, Salvage Elm, Cherry
Bio Resin	Black, White, Woodprint, Desert Clay, Seaglass, Fern

care

Care for plant resin 3D printed components: Keep the edges of your resin surfaces clean by using a synthetic bristle brush with mild cleaning soaps, such as diluted dish soap or general non-abrasive cleaners. Avoid bleach, ammonia, and other harsh or abrasive cleaners which may damage the texture of the surface.

Our hardwood surfaces are finished with an environmentally friendly, plant based, hard wax oil wood finish that has 0% VOC and does not contain any water or solvents. It is protective and durable. Wipe with a damp cloth and gentle cleanser. Avoid water marks by quickly wiping up any standing liquids on the chair. Never use harsh cleaning sprays or abrasives on your wood surfaces. Clean any sticky spots gently with soap or mild detergent and water.

sustainability

From FSC® certified hardwoods, to plant-based polymers, to GOLS-certified latex, we examine every product for sustainability, quality, and performance. We strive to source our materials locally. Additive manufacturing processes like 3D printing let us produce each piece to order. Limiting inventory minimizes our carbon footprint and also maximizes our product quality. Only the products identified as such in this document are FSC®-certified. FSC® C125400/SCS-COC-007184



customization

With the use of our advanced manufacturing processes, our customers have the freedom to customize their order. From sizing, material choice, fabric color and finish, we can truly design your living space to the customers ideal vision. There is no minimum order quantity as we are aiming to reach a diverse range of customers, from big companies to small homes.