

MODEL N°
SOLIS DINING TABLE



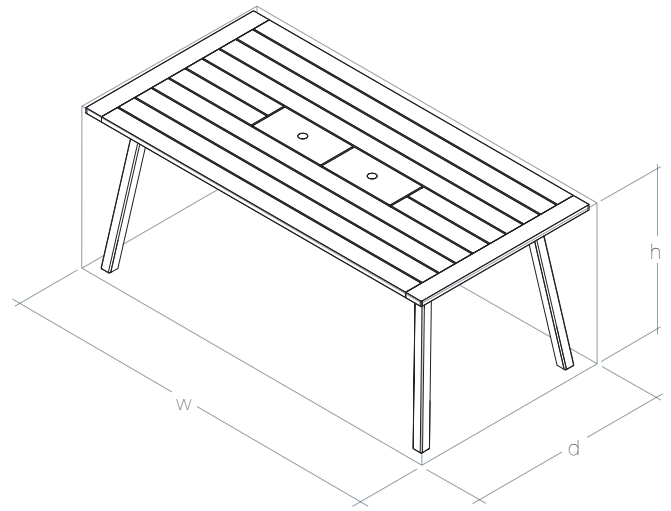
SOLIS DINING TABLE

MODEL N°

Our Solis Dining Table grounds the progressive look of the Solis Series with straight-up farmhouse legacy from upstate New York. Stout as a hardwood handshake and featuring mortise and tenon joinery throughout, the Solis Dining Table meets any weather condition and any form of gathering without pause. Open up the center panel to drop in decor and add more drinks in its 3D printed channel. Add the Solis Chairs and the Solis Bench to carry the crowd alongside it. We craft and hand-finish this piece from selected FSC® certified or salvaged hardwood and 3D printed resins upcycled from plant waste. You can specify this piece in multiple hardwoods and bio-resin colors.

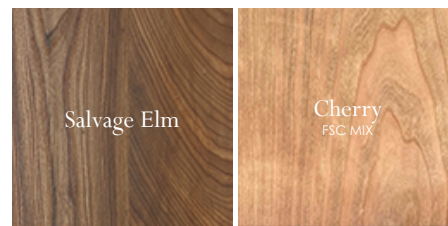
dimensions

width	72"
height	30"
depth	36"



materials

wood species	cherry, salvage elm
bio-resin (inside storage)	white, black, woodprint, desert clay, sea glass, and fern



care

Our hardwood surfaces are finished with an environmentally friendly, plant based, hardwax oil wood finish that has 0% VOC and does not contain any water or solvents. It is protective and durable. Wipe with a damp cloth and gentle cleanser. Avoid water marks by quickly wiping up any standing liquids on the chair. Never use harsh cleaning sprays or abrasives on your wood surfaces. Clean any sticky spots gently with soap or mild detergent and water.

During extreme weather the table should be stored for optimal long-term protection. We recommend wiping down the PLA with a lint-free, soft cloth or soft bristle brush, and clean when needed with mild soaps. Avoid bleach, ammonia and other hard chemical solvents which may damage the texture of the surface.



sustainability

From FSC® certified hardwoods, to plant-based polymers, to GOLS-certified latex, we examine every product for sustainability, quality, and performance. We strive to source our materials locally. Additive manufacturing processes like 3D printing let us produce each piece to order. Limiting inventory minimizes our carbon footprint and also maximizes our product quality. Only the products identified as such in this document are FSC®-certified. FSC® C125400/SCS-COC-007184

customization

With the use of our advanced manufacturing processes, our customers have the freedom to customize their order. From sizing, material choice, fabric color and finish, we can truly design your living space to the customers ideal vision. There is no minimum order quantity as we are aiming to reach a diverse range of customers, from big companies to small homes.