

MODEL N°
POWER SIDE TABLE



POWER SIDE TABLE

MODEL N°

Its lathe-like base with a meticulously polished hardwood surface and the embedded charging feature make the Powered Side Table, well, powerful. A functional surface for the office, lounge area, or home studio, we print the drum in one spin on our 3D printer and cap it with precision cut and hand-finished hardwood on its top and base. Formed with your choice among a variety of our plant-based resin colors and our selected FSC® certified and salvaged hardwoods. Assort them as a nested set for full affect. If so desired we can embed charging technology in this piece.

dimensions

	standard	tall
height	20.5"	22"
depth	10"	8"
width	10"	8"

*choose from "high waist" or "low waist" design option

materials

Wood Species	Walnut, Ash, Charcol Ash, White Oak, Beech, Salvage Elm, Cherry
Bio Resin	Black, White, Woodprint, Desert Clay, Seaglass, Fern
Power Options	No Power or Embedded Power

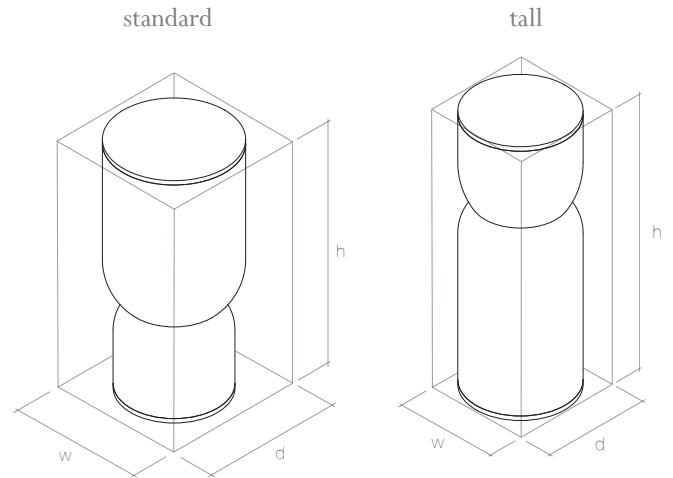
care

Keep the edges of your resin surfaces clean by using a synthetic bristle brush with mild cleaning soaps, such as diluted dish soap or general non-abrasive cleaners. Avoid bleach, ammonia, and other harsh or abrasive cleaners which may damage the texture of the surface.

Our hardwood surfaces are finished with an environmentally friendly, plant based, hard wax oil wood finish that has 0% VOC and does not contain any water or solvents. It is protective and durable. Wipe with a damp cloth and gentle cleanser. Avoid water marks by quickly wiping up any standing liquids on the chair. Never use harsh cleaning sprays or abrasives on your wood surfaces. Clean any sticky spots gently with soap or mild detergent and water.

sustainability

From FSC® certified hardwoods, to plant-based polymers, to GOLS-certified latex, we examine every product for sustainability, quality, and performance. We strive to source our materials locally. Additive manufacturing processes like 3D printing let us produce each piece to order. Limiting inventory minimizes our carbon footprint and also maximizes our product quality. Only the products identified as such in this document are FSC®-certified. FSC® C125400/SCS-COC-007184



customization

With the use of our advanced manufacturing processes, our customers have the freedom to customize their order. From sizing, material choice, fabric color and finish, we can truly design your living space to the customers ideal vision. There is no minimum order quantity as we are aiming to reach a diverse range of customers, from big companies to small homes.