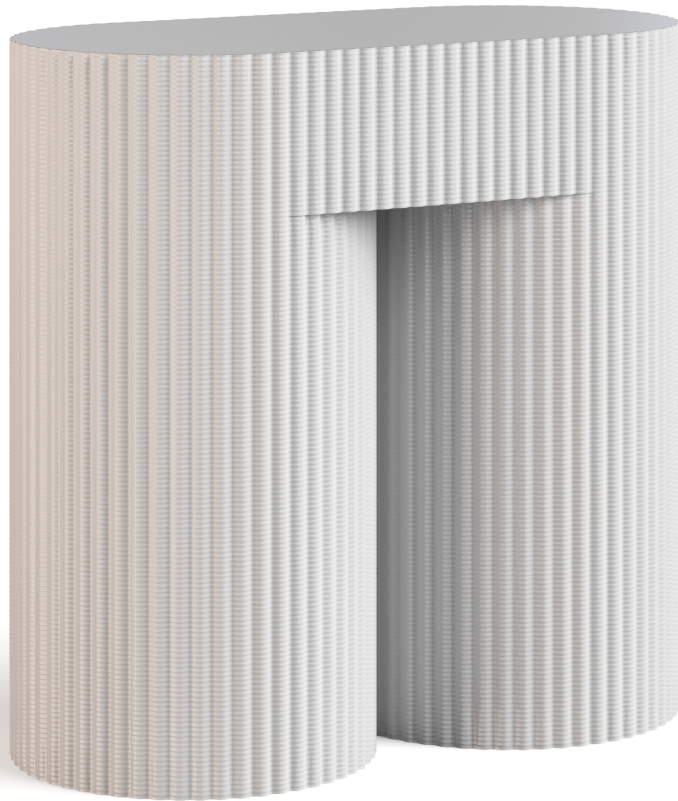


MODEL N°
GATHER STOOL



To know the Gather Stool, you have to know the Gather Table. Some people, spaces, and objects just have a way of pulling people in and holding them for hours. In sum, that's the mystery of the Gather Table. And the Gather Stools are the perfect partners in crime. With low-slung architecture fit to the table's height and the same fluted design lines, Gather Stools make the scene with an entirely communal vibe. 100% made from 3D printed resins upcycled from plant waste, Gather comes in the same colors as the Gather Table's base.

dimensions

width	18.5"
depth	9.25"
height	18"

materials

Bio Resin	Black, White, Woodprint, Desert Clay, Seaglass, Fern
-----------	--

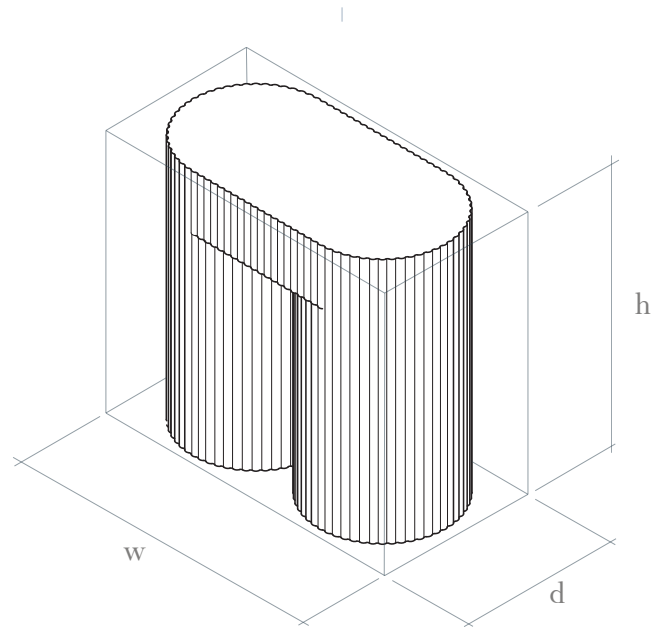
care

The Gather Stool seasons exceptionally with your attention and care. Wood that is left outdoors will naturally darken over time. The PLA is UV resistant and waterproof and will hold up to extended exposure to moisture. We recommend covering your stools seasonally, for protection against cold weather + wind. Do not cover in high heat, as prolonged exposure to intense sun while covered may lead to some warping. During extreme weather the stools should be stored for optimal long-term protection. While uncovered, the stools can easily be maintained with regular cleanings. We recommend wiping down the PLA with a lint-free, soft cloth or soft bristle brush, and clean when needed with mild soaps. Avoid bleach, ammonia and other hard chemical solvents which may damage the texture of the surface.

sustainability

Our 3D printers sculpt the shade from upcycled plant-based materials to form a remarkably comfortable seat for lounging. Our PLA Pellet Blend (polylactic acid) - bioresin is made from food waste, corn and sugar leftovers, and wood dust.

Here at Model No. we examine every product for sustainability, quality, and performance. We strive to source our materials locally. Additive manufacturing like 3D printing let us produce each piece to order. Minimizing our carbon footprint and maximizing quality.



customization

With the use of our advanced manufacturing processes, our customers have the freedom to customize their order. From sizing, material choice, fabric color and finish, we can truly design your living space to the customers ideal vision. There is no minimum order quantity as we are aiming to reach a diverse range of customers, from big companies to small homes.