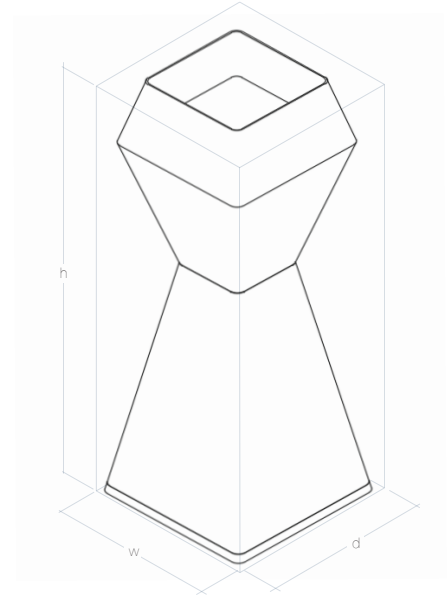


MODEL N°
EOS BEACON TABLE LAMP



If design requires a modicum of play, EOS has a bit of jungle gym in it. Designed as a family of objects, EOS Table Lamps configure as a group on impulse or find a more intentional place on a desk, console, lounge table, or coffee table. Usually too clever for our own good, we like to form negative space with EOS. And EOS does what it's made to do: Translucent 3D printed shells cast a stunning visual on its surface and spread light that makes candles jealous. Beacon is one of five forms available along with multiple colors of plant-based resins, FSC® certified or salvaged hardwoods, and power configurations.



dimensions

Shade	width	10"
	height	27"
	depth	10"
Fabric Plug-in Cord <small>*max 60W bulb *grounded 3 blade plug *thumb switch 2ft from plug end</small>	overall length	18ft
	socket length	3in

materials

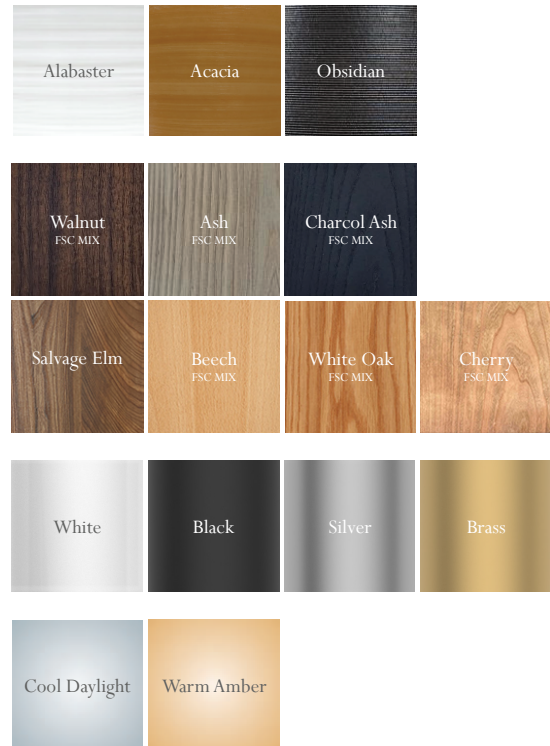
PLA colors	alabaster, acacia, obsidian
wood	walnut, ash, charcol ash, salvage elm, beech, white oak, cherry
fabric plug-in cord bulb	white, black, silver, brass warm amber, cool daylight white

care

PLA polymer shades should be cleaned routinely. Use a feather duster and a natural cleaner and cloth for routine maintenance. The table light is only for use with a LED bulb. Not for use with an incandescent bulb.

sustainability

From FSC® certified hardwoods, to plant-based polymers, to GOLS-certified latex, we examine every product for sustainability, quality, and performance. We strive to source our materials locally. Additive manufacturing processes like 3D printing let us produce each piece to order. Limiting inventory minimizes our carbon footprint and also maximizes our product quality. Only the products identified as such in this document are FSC®-certified. FSC® C125400/SCS-COC-007184



customization

With the use of our advanced manufacturing processes, our customers have the freedom to customize their order. From sizing, material choice, fabric color and finish, we can truly design your living space to the customers ideal vision. There is no minimum order quantity as we are aiming to reach a diverse range of customers, from big companies to small homes.