

MODEL N°
CUMULUS PENDANT



CUMULUS PENDANT

MODEL N°

Cumulonimbus clouds stacking high in the sky have a way of grabbing attention and spreading light - and so goes our Cumulus Pendant. As an individual light or as a curated family across a counter, Cumulus casts a stunning glow and pattern through its translucent shell while spreading light below. 3D printed with plant-based resins, you can spec Cumulus in multiple sizes, colors, and power options.

dimensions

	small	medium	large
height	12"	17"	24"
depth	10.5"	14"	18.7"
width	10.5"	14"	18.7"

Hardwire Cord	cord length	6ft
*max 60W bulb	shade rings outer diameter	2.25in
*grounded 3 blade plug		
*thumb switch 2ft from plug end		

Fabric Plug-in Cord	overall length	18ft
*max 60W bulb	socket length	3in
*grounded 3 blade plug		
*thumb switch 2ft from plug end		

materials

PLA colors	alabaster, acacia, obsidian
fabric plug-in cord	nickle, brass, white, black
hardwire cord	nickle, brass, white, black
LED bulb	warm amber, cool daylight white

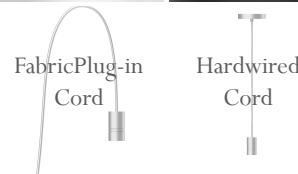
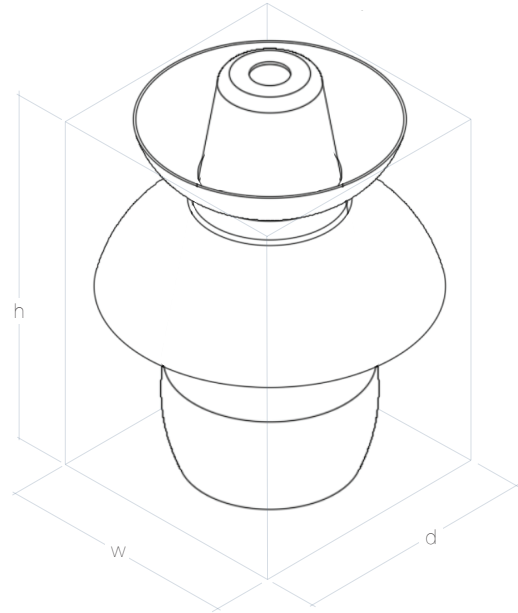
care

PLA polymer shades should be cleaned routinely. Use a feather duster and a natural cleaner and cloth for routine maintenance. Pendant shade is only for use with a LED bulb. Not for use with an incandescent bulb. Hardwired fixture should be installed by a professional electrician.

sustainability

Our 3D printers sculpt the shade from upcycled plant-based materials. Our PLA Pellet Blend (polylactic acid) - bioresin is made from food waste, corn and sugar leftovers, and wood dust.

Here at Model No. we examine every product for sustainability, quality, and performance. We strive to source our materials locally. Additive manufacturing like 3D printing let us produce each piece to order. Minimizing our carbon footprint and maximizing quality.



customization

With the use of our advanced manufacturing processes, our customers have the freedom to customize their order. From sizing, material choice, fabric color and finish, we can truly design your living space to the customers ideal vision. There is no minimum order quantity as we are aiming to reach a diverse range of customers, from big companies to small homes.