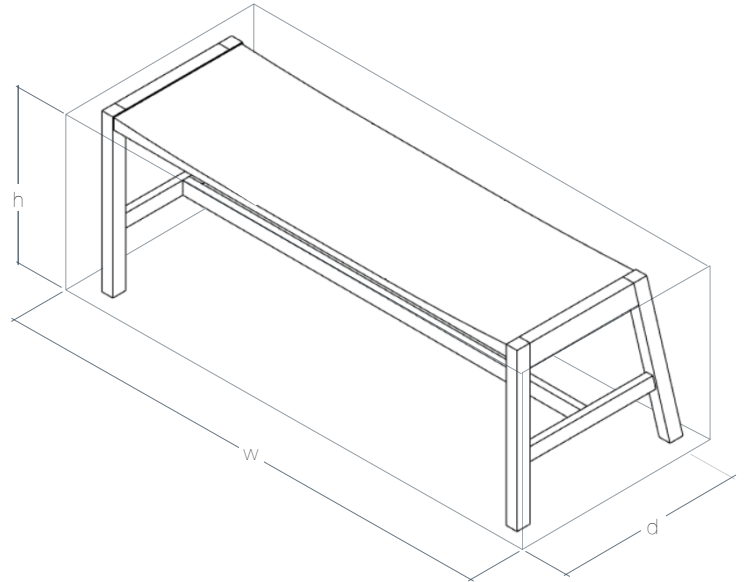


MODEL N°
BLOK BENCH



Nothing like a strong supporting vocalist to level-up that song you heard. Enter the Blok Series. Minimalist and meticulously crafted lines are noteworthy but play well behind the scenes as the chair to a desk, conference table, or dining table. Or Blok can play solo as the go-to chair waiting in the corner. Versatile and timeless - Blok elevates and keeps it sublime. You can spec Blok as a side chair, armchair, or a bench with multiple options of FSC® certified or salvaged hardwoods.



dimensions

width	48" 60" OR 72"
height	18.125"
depth	18"

materials

wood species	Walnut, Ash, Charcol Ash, White Oak, Beech, Salvage Elm, Cherry
--------------	---

care

Our hardwood surfaces are finished with an environmentally friendly, plant based, hard wax oil wood finish that has 0% VOC and does not contain any water or solvents. It is protective and durable. Wipe with a damp cloth and gentle cleanser. Avoid water marks by quickly wiping up any standing liquids on the chair. Never use harsh cleaning sprays or abrasives on your wood surfaces. Clean any sticky spots gently with soap or mild detergent and water. Due to natural variations in wood, grain and color can differ from piece to piece.



sustainability

From FSC® certified hardwoods, to plant-based polymers, to GOLS-certified latex, we examine every product for sustainability, quality, and performance. We strive to source our materials locally. Additive manufacturing processes like 3D printing let us produce each piece to order. Limiting inventory minimizes our carbon footprint and also maximizes our product quality. Only the products identified as such in this document are FSC®-certified. FSC® C125400/SCS-COC-007184

customization

With the use of our advanced manufacturing processes, our customers have the freedom to customize their order. From sizing, material choice, fabric color and finish, we can truly design your living space to the customers ideal vision. There is no minimum order quantity as we are aiming to reach a diverse range of customers, from big companies to small homes.