

MODEL N°
AVENS TABLE



On cue, the Avens Table posts up for a work session on the laptop, a lunch break, or just a surface to put stuff down. Durable indoors or outdoors, the Avens pretty much shows up whenever and wherever you ask for its help.

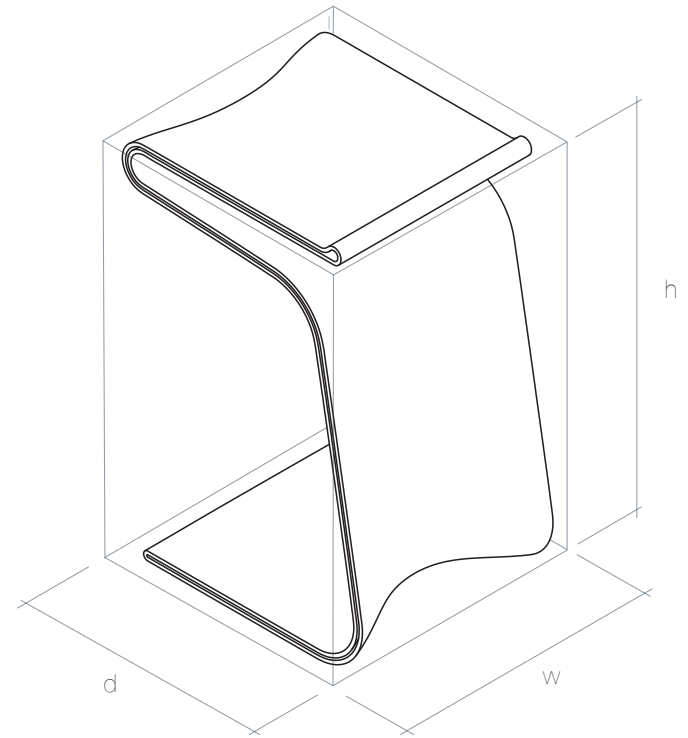
3D printed in a single print here in our micro-factory using only resins upcycled from plant waste, Avens is fully biodegradable or recyclable at the end of life - so it looks good and also feels good knowing no harm was done to our planet. You can spec Avens in a variety of clean bio-resin colors to work with the design of you space.

dimensions

| | | |
|-------|--------|--------|
| Chair | width | 14" |
| | height | 26.25" |
| | depth | 17.5" |

materials

| | |
|-----------|--|
| Bio Resin | Black, White, Woodprint, Desert Clay, Seaglass, Fern |
|-----------|--|



care

Care for plant resin 3D printed components: Keep the edges of your resin surfaces clean by using a synthetic bristle brush with mild cleaning soaps, such as diluted dish soap or general non-abrasive cleaners. Avoid bleach, ammonia, and other harsh or abrasive cleaners which may damage the texture of the surface.

Bio Resin:



sustainability

From FSC® certified hardwoods, to plant-based polymers, to GOLs-certified latex, we examine every product for sustainability, quality, and performance. We strive to source our materials locally. Additive manufacturing processes like 3D printing let us produce each piece to order. Limiting inventory minimizes our carbon footprint and also maximizes our product quality. Only the products identified as such in this document are FSC®-certified. FSC® C125400/SCS-COC-007184

customization

With the use of our advanced manufacturing processes, our customers have the freedom to customize their order. From sizing, material choice, fabric color and finish, we can truly design your living space to the customers ideal vision. There is no minimum order quantity as we are aiming to reach a diverse range of customers, from big companies to small homes.