

MODEL N°
ALTA STOOL COLLECTION (A-FRAME)



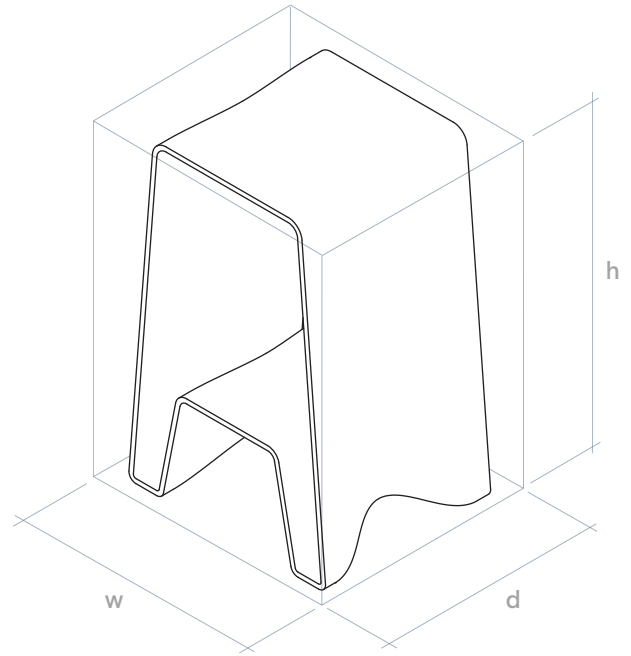
The A-Frame stool was created from a network of curves resulting in a subtle modern form designed for strength and comfort. Each piece is produced in a seamless single print.

Available in various seat heights, our taller stools are equipped with an ergonomically positioned footrest for enhanced comfort at bar and counter heights.

Personalize your stool with our range of bio-resin colors, allowing it to effortlessly complement any space indoor or outdoors, while embodying sustainability at its core. Using only plant-derived resins sourced from upcycled plant waste, at the end of its lifecycle, our stools can be easily recycled or composted ensuring minimal environmental impact.

dimensions

	Stool	Counter	Bar
Height	18in	26in	30in
Width	16.5in	16.5in	16.5in
Depth	14in	14in	14in



materials

Bio-Resin White, Black, Woodprint, Desert Clay, Seaglass, Fern

Bio-Resin:



care

Care for bio-resin 3D printed components: Keep the edges of your resin surfaces clean by using a synthetic bristle brush with mild cleaning soaps, such as diluted dish soap or general non-abrasive cleaners. Avoid bleach, ammonia, and other harsh or abrasive cleaners which may damage the texture of the surface.

sustainability

From FSC® certified hardwoods, to plant-based polymers, to GOLs-certified latex, we examine every product for sustainability, quality, and performance. We strive to source our materials locally. Additive manufacturing processes like 3D printing let us produce each piece to order. Limiting inventory minimizes our carbon footprint and also maximizes our product quality. Only the products identified as such in this document are FSC®-certified. FSC® C125400/SCS - COC-007184

customization

With the use of our advanced manufacturing, our customers have the freedom to customize their order. From sizing, material choice, fabric color and finish, we can truly design your living space to the customers ideal vision. There is no minimum order quantity as we are aiming to reach a diverse range of customers, from big companies to small homes.